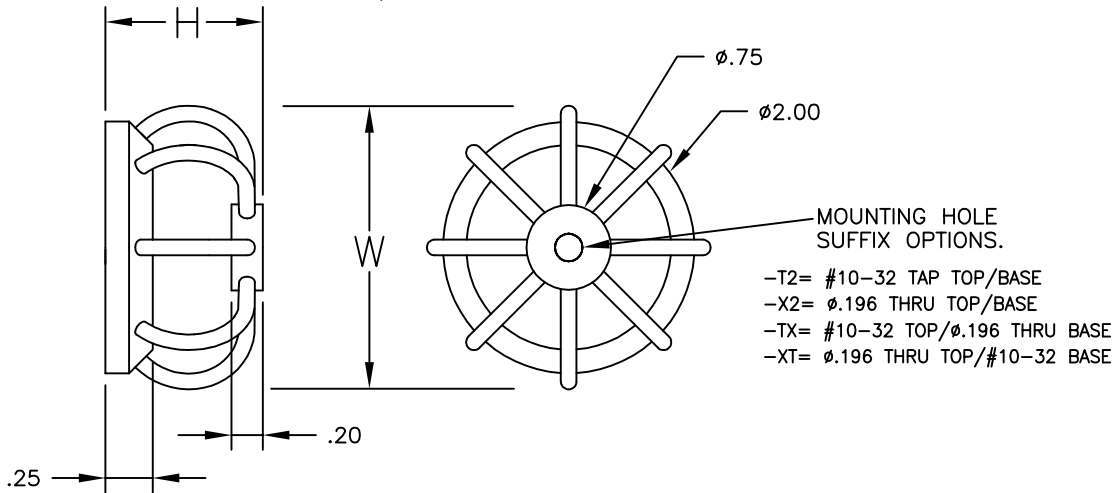


REV.	DESCRIPTION	DATE	BY

CA3 SERIES

3/32" WIRE ROPE



* CROSSED CABLE NOT PICTURED

ISOLATOR PART NO.	NOMINAL DIMENSIONS (in)		LOAD MODE	SHOCK AVERAGE K (lb/in)	VIBRATION AVERAGE K (lb/in)	MAX. RATED DYNAMIC TRAVEL (in)
	H±.06	W(REF)				
CA3-200-08-[]	1.35	2.45	COMPRESSION	42	85	.40
			SHEAR	30	25	.35
			45 DEG. C/R	25	60	.65
CA3-250-08-[]	1.80	2.70	COMPRESSION	20	45	.50
			SHEAR	8	8	.60
			45 DEG. C/R	10	30	.85
CA3-300-08-[]	2.15	2.90	COMPRESSION	12	25	.60
			SHEAR	4	4	.75
			45 DEG. C/R	5	20	1.20
CAX3-[] (CROSSED CABLE)	1.70	3.00	COMPRESSION	15	35	.55
			SHEAR	10	10	.60
			45 DEG. C/R	6	24	1.00

OTHER MATERIALS, COMPOUNDS, OR FINISHES WITH EQUAL OR SUPERIOR PROPERTIES MAY BE SUBSTITUTED AS THEY BECOME AVAILABLE.

CERTIFIED FOR:

JOB NAME: _____
 CUSTOMER: _____
 CUSTOMER P.O.: _____
 SALES ORDER: _____

**MODEL CA3 SERIES
 ALUMINUM ARCH WIRE ROPE
 ISOLATOR**



THE VMC GROUP
The Power of Together
 Bloomingdale, NJ 07403
 Houston, TX 77041

SCALE:
 NONE
 SHEET:



DRAWING NO.: _____ REVISION